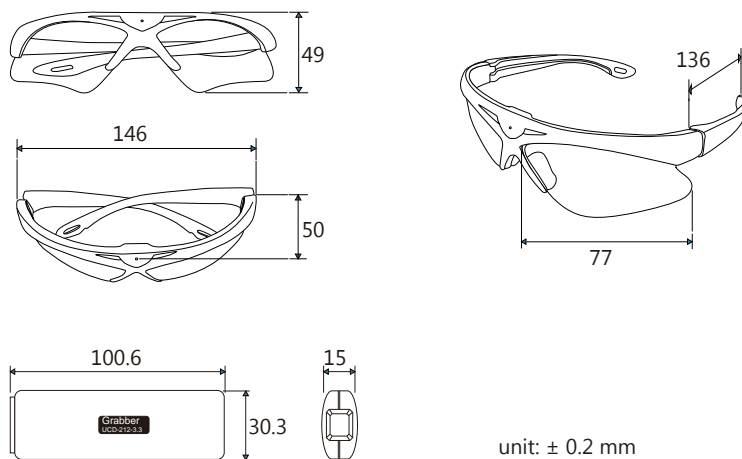


Feature

- High Sensitivity!
- High Performance
- 1/3" CCIQ III Color
- 976 x 496 Pixel
- Compact Size



MM-HS18588CA-4T

Specification

| | |
|-----------------------|--|
| Model | MM-HS18588 |
| Video System | NTSC / PAL |
| Effective Pixel | 976 (H) × 496(V) (NTSC & PAL) 720 (H) × 576(V) (PAL) UVC Resolution 720 (H) × 480(V) (NTSC) UVC Resolution |
| Image Area (mm) | 4.88 × 3.67 (Diagonal: 6.1) |
| Pixel Size (μm) | 5.00 × 7.40 |
| Image Sensor | 1/3" Color CCIQ III 960H Camera |
| Resolution (TV Lines) | 710TV Line over (NTSC) 740TV Line over (PAL) |
| S / N Ratio | 46.4 dB |
| Dynamic Range | 63.5 [dB] |
| Sensor Scan Mode | Interlaced 60 fields |
| Minimum Illumination | 0.05Lux at F1.2 20IRE |
| Shutter Speed | 1/60~1/200,000 (NTSC) 1/50~1/170,000 (PAL) |
| Sensitivity | 11.4 [V/Lux.sec] |
| Storage Temperature | -30 to 60 Degree C |
| Working Temperature | -10 to 45 Degree C |
| Lens | 3.9 mm / F 3.9 |
| Interface | USB 2.0 Micro Type B (OTG) |
| Power Input | DC 5V (300mA) |
| OS Support | Windows XP、Vista、Windows 7, Linux Any Version, MAC OS, Android |
| LED | Red and Yellow Flash = Stand by Yellow Light = Working |

| SERIES | CONNECTOR | CAMERA TYPE | DISPLAY | GLASSES | MICROPHONE | LENS |
|----------------|--|--|--|---|--------------------------------------|--|
| M Basic | UVC Signal D USB Type A M USB Micro Type B (OTG) T USB Type C I USB Mini Type B | Front View HS Hidden Type | Hidden Type 18588 Color | C Transparent Type B Black Tint Type U UV Protection | A External N/A None | Slim Type 4T 3.9 mm / F 3.9 |

Connector Information

